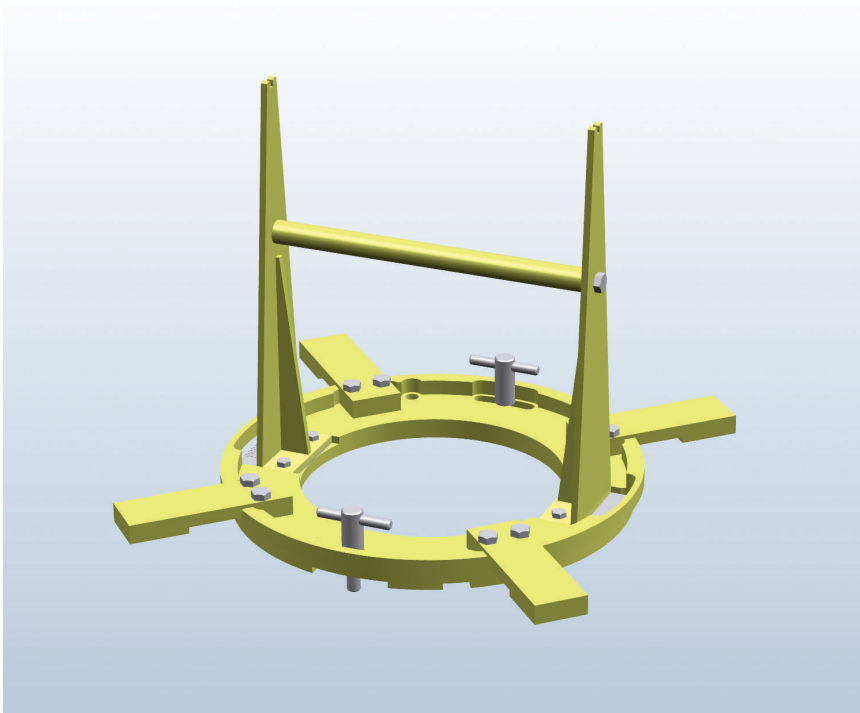


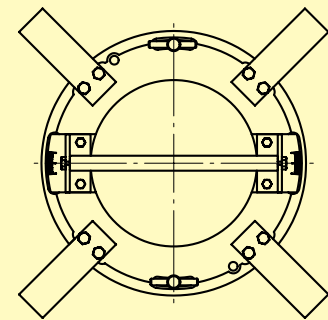
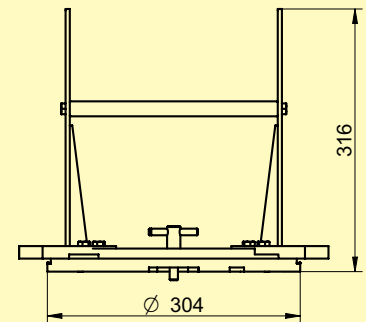
Subject to modifications.



- Alignment and installation device for Ø300 mm inset lights
- Yellow passivated or black painted steel
- Weight 10,8 kg

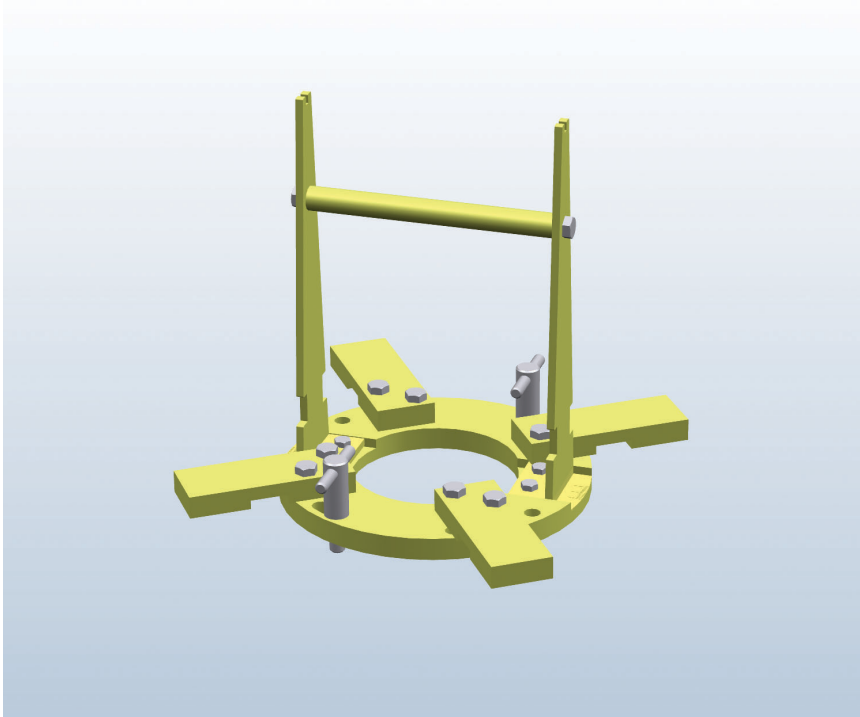
Alignment device for 300 mm inset lights

IDM 4306

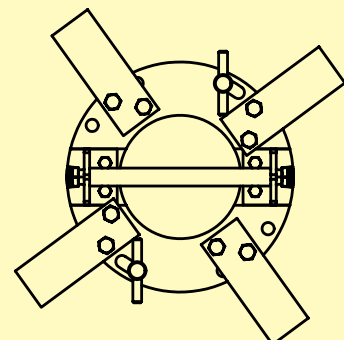
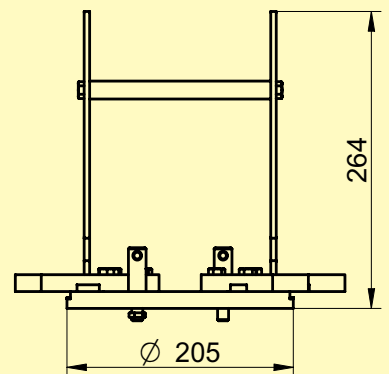


Alignment device for 200 mm inset lights

IDM 6092



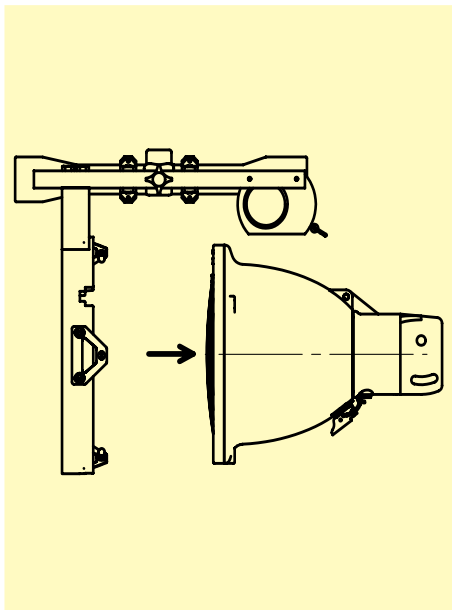
- Alignment and installation device for Ø200 mm inset lights
- Yellow passivated or black painted steel
- Weight 5,6 kg



© 2005 IDMAN Oy. All rights reserved.

Alignment device for IDM 2982

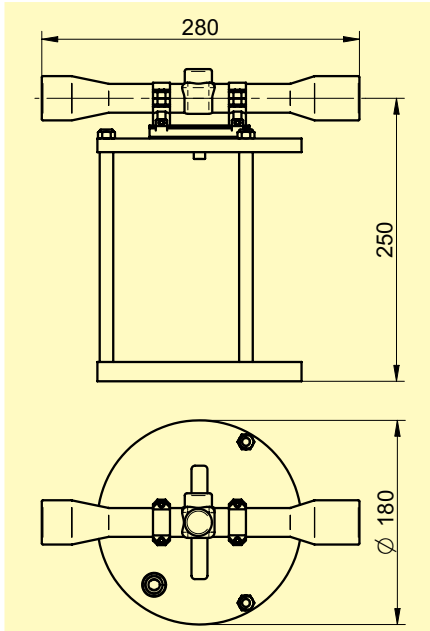
IDM 5842



- Alignment device for IDM 2982
- Telescope for horizontal and clinometer for vertical alignment
- Aluminium, black painting
- Weight 1,1 kg

Alignment device for IDM 5848

IDM 5847



- Alignment device for IDM 5848
- Telescope for horizontal and spirit level for vertical alignment
- Aluminium, black painting
- Weight 2,1 kg

Subject to modifications.

© 2005 IDMAN Oy. All rights reserved.